



Pure sine wave

Wide input voltage window

Voltage regulation

XUPs model

600HV

2.5 amps
600 VA
420 watts
230 volts
10 min @ 420W
25 min @ 210W

1000HV

4.2 amps
1000 VA
700 watts
230 volts
5 min @ 700W
12 min @ 350W

Rack-mountable Sine Wave UPS with AVR and a Wide Input Voltage Window

These heavy-duty XUPs Series UPS are housed in a rugged steel rack-mountable enclosure. The XUPs offers line-interactive automatic voltage regulation, over/under-voltage protection, surge protection with heavy duty noise filtering, communications capability and optional extended battery backup.

Key XUPs Benefits

The XUPs design, with its microprocessor-controlled 15kHz sine wave inverter, reduces the number of solid-state devices required for power conversion, thereby yielding a high level of reliability.

Built-in automatic voltage regulation enables a wide input voltage window within which the XUPs can deliver power without having to drain or exercise the batteries, thereby ensuring long battery life. A fan exhausts hot air to protect batteries and electronics.

Standard battery run-times for the 600HV are approximately 10 minutes at a 420 watts load, and 25 minutes with a 210 watts load; and for the 1000HV, approximately 5 minutes at a 700 watts load, and 12 minutes at a 350 watts load.

A built-in Anderson SB50 connector enables adding extra battery cabinets for longer times.

How the XUPs Works

The XUPs Series UPS provides automatic voltage regulation with surge protection and noise filtering, and also overvoltage protection with a threshold of 270vac, and undervoltage protection with a threshold of 190vac. Upon a brownout, overvoltage, or loss of power, the XUPs will transfer to battery power in less than 4 milliseconds, enabling uninterrupted operation of computer, telecom, surveillance, signaling or other electronic systems.

A comprehensive array of power, battery level, voltage level, and inverter status LED indicators is provided for visual assessment of UPS status. A DB-9 port is provided for communication using RS-232 or relay dry contact signals. The power on/off switch is recessed to prevent accidental turn on or off.



Typical XUPs applications

This heavy duty UPS system is ideal for protection of computers, WiFi/GSM/CDMA/satellite base stations, wireless communications/perimeter surveillance and security/gate control systems, LED traffic light/roadway display systems and industrial remote terminal units (RTUs).

Key XUPs features

- Pure sine wave inverter output
- Over/under-voltage protection
- Rack or wall mountable with optional rack/wall-mount kit
- Heavy-duty surge protection and noise filtering
- Automatic voltage regulation with wide voltage input window enhances long battery life
- Comprehensive array of status bargraphs for voltage, load and battery levels
- SNMP compatible via RS-232 port with optional SNMP adapter
- Both RS-232 and relay contact signals are provided
- Two year warranty on electronics
- One year warranty on batteries



TSi Power Corporation
1103 West Pierce Ave
Antigo, WI 54409 USA
800 874 3160 (USA only)
Phone +1 715 623 0636
Fax +1 715 623 2426
sales@tsipower.com
www.tsipower.com
Copyright © 2007 TSi

XUPs



Rack-mountable heavy-duty line-interactive UPS with automatic voltage regulation

Specification	XUPs -600HV	XUPs -1000HV
Electrical		
Capacity in VA (watts)	600VA (420W)	1000VA (700W)
UPS topology	High efficiency line-interactive with 15kHz PWM sine wave inverter.	
Input		
Nominal voltage	230 volts ac (190–270vac without going to batteries)	
Input current	2.5A maximum @ 230vac	4.2A maximum @ 230vac
Operating voltage. Freq.	190 to 270vac without using batteries. 47 to 63Hz.	
Input receptacle/plug	IEC320 input receptacle. Line cord with IEC320P plug.	
Output		
Nominal voltage	230 volts ac	
Voltage regulation	230vac +/-8% upon changes in line or load.	
Crest ratio	3:1	
Output waveform	Pure sine wave, less than 3% THD with linear load.	
Power efficiency	97 %, under full load conditions.	
Power on/off switch	Recessed on/off rocker style power switch.	
Transfer time	<4 milliseconds	
Batteries	7 amp hours, 24vdc maintenance-free sealed lead-acid batteries.	
Battery backup time	10 minutes @ 420 watts load. 25 minutes @ 210 watts load.	5 minutes @ 700 watts load. 12 minutes @ 350 watts load.
Recharge time	Four hours to 95% capacity after full discharge.	
Optional extra battery pack(s) for longer backup time	Matching extra battery pack(s) available with SB50 connector, and separate battery charger for enabling faster recharge times. Please call for sizing assistance.	
SNMP interface for UPS monitoring and automatic shutdown configuration (optional)	Using an external SNMP adapter, the RS-232 signals (from the DB-9 female connector) from the UPS can be converted to 10M/100M fast Ethernet signals (and RJ-45 connection) for external UPS monitoring/configuration capability using Telnet, web browsers, or NMS (most such external devices support TCP/IP, UDP, SNMP, Telnet, SNMP, PPP, HTTP & SMTP protocols).	
Surge protection	Ac input surge/noise filter (using inductor, capacitor and MOV).	
Status indicators	5 LED load level indicator: 0 to 100% of rated load. 5 LED battery charge level indicator from 0 to 100% of rated charge. 3 LED indicators for: in boost, buck or normal mode. 3 LED indicators for: inverter on/off, battery fault, and overload.	
Output receptacles	Six standard IEC320 female outlets (receptacles). Others, please call.	
Physical		
Dimensions	406mm(16")wide x 381mm(15")deep x 89mm(3.5")high (2U high)	
Weights	15kg(32 lbs)	17kg(37 lbs)
Housing	Painted steel enclosure with rubber feet.	
Rack or wall mounting kits (optional)	Front pair rack-mount kit: For a 19" rack: # MK-5019A For a 23" rack: #MK-5023A	Center pair rack-mount kit: For a 19" rack: # MK-5019F For a 23" rack: #MK=5023F
	Wall or floor mount kit: use # MK-5000C	
Safety		
Agency approvals	Designed to meet UL, cUL and IEC safety standards.	
Environmental		
Operating temperature	0° to 40°C (32° to 104 °F). 10 to 90% relative humidity (non-condensing).	
Warranty		
Warranty	Two year limited warranty, parts and labor. One year battery warranty.	

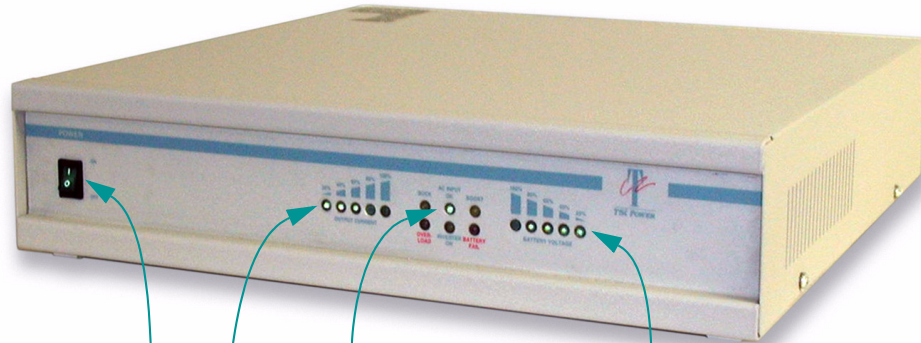


TSi Power Corporation
1103 West Pierce Ave
Antigo, WI 54409 USA
800 874 3160 (USA only)
Phone +1 715 623 0636
Fax +1 715 623 2426
sales@tsipower.com
www.tsipower.com
Copyright © 2007 TSi

TSi's ongoing product improvement process makes specifications subject to change. Other companies product names herein are for identification purposes only, and may be trademarks of their respective companies.



Front-right view



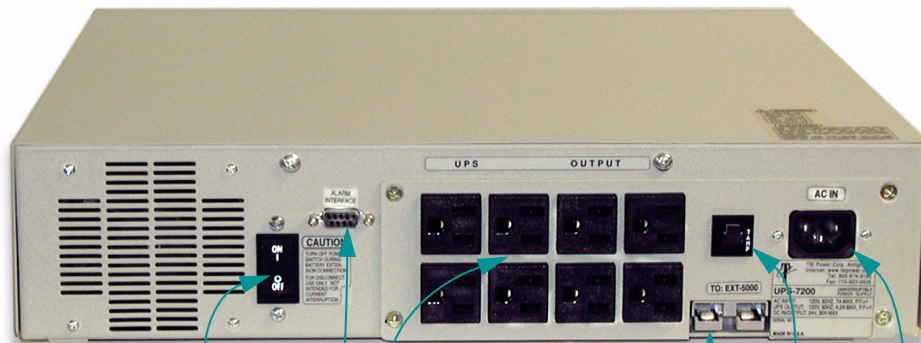
recessed on/off switch

output current: three of five LEDs showing XUPs 60% loaded

- ac input on LED lit
- buck mode
- boost mode
- overload
- inverter on/off
- battery failure

battery voltage level: four of five LEDs showing batteries at 80% charge status

Rear view



dc circuit breaker

DB-9 communication port provides both RS-232 and relay alarm contact signals (or SNMP using optional SNMP adapter)

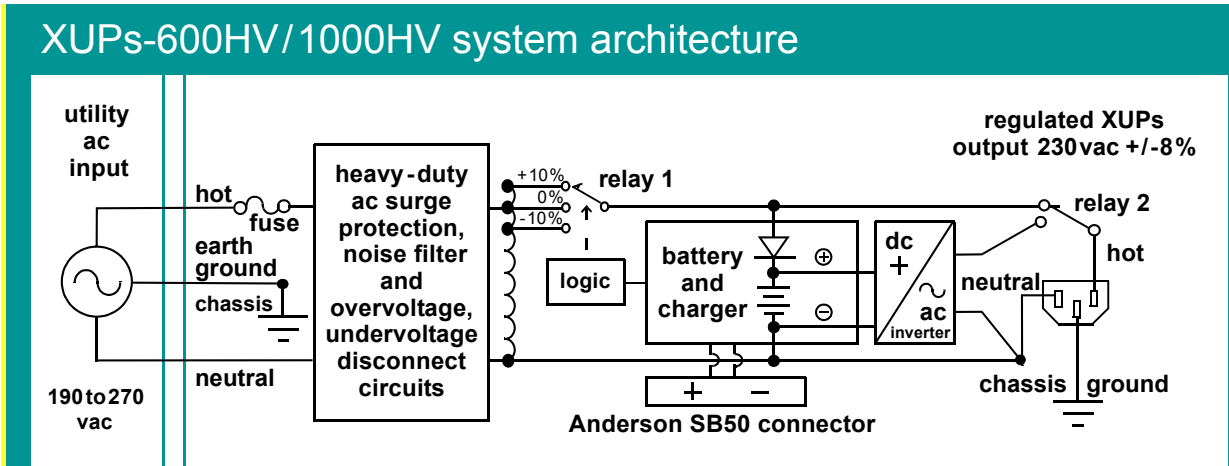
output ac via six IEC320 female outlets (receptacles) (NEMA 5-15R shown)

dc Anderson SB-50 battery connector

input ac circuit breaker

input ac IEC 320 male inlet for 6 foot cord with IEC 320 female plug (also accepts other cord/plug sets)





XUPs-600HV/1000HV at a glance

Rack or wall-mountable heavy-duty UPS with line-interactive automatic voltage regulation and wide input voltage window

- 10 minutes @ 420 watts load
25 minutes @ 210 watts load with XUPs-600HV
- 5 minutes @ 700 watts load
12 minutes @ 350 watts load with XUPs-1000HV
- A built-in Anderson SB50 connector enables adding extra battery packs for longer times
- Less than 4 ms transfer time
- 24 vdc battery bus
- 230vac +/- 8% output from 190 to 270vac input without going to batteries
- Six IEC320 female outlets
- Microprocessor-controlled 15kHz PWM sine wave inverter
- Rack-mountable metal cabinet allows for rack or wall mounting using optional mounting kits
- SNMP compatible with optional SNMP adapter



TSi Power Corporation
1103 West Pierce Ave
Antigo, WI 54409 USA
800 874 3160 (USA only)
Phone +1 715 623 0636
Fax +1 715 623 2426
sales@tsipower.com
www.tsipower.com
Copyright © 2007 TSi