



Failsafe

Automatic voltage regulator

With precision

VRp model

2000-0275

2000 VA
2000 watts
input:
208/220/
230/240 vac
output:
230 vac +/-3%
single phase

*Power with a
Precision Attitude™*

Precision PWM Automatic Voltage Regulator with Auto-bypass

Precision fast-PWM ac mains voltage correction

TSi Power's VRp automatic precision regulator line conditioner provides output voltage within plus/minus 3% of nominal, for input voltage that varies plus/minus 20%.

There is no switching of taps or otherwise a break in the power path thanks to continuous PWM switching of a buck-boost transformer.

Typical applications

Designed for applications that require absolutely stable, high-reliability power, without switching components in the power path.

Applications include, but are not limited to: medical systems, high-performance color wide format digital inkjet printers and copiers, analytical equipment, radio/TV broadcast equipment, and mobile broadcast vans, and other 230vac loads that are 2000VA or under.

Key VRp-2000-0275 benefits

The light-weight, high efficiency VRp-2000-0275 is easy to install in any environment. The automatic bypass assures that connected equipment will not shut down, even if VRp fails. VRp is compatible with all loads as it does not switch any components in the power path. VRp's ultra-low impedance assures stability even with the most demanding loads.

How the VRp Series works

The high frequency IGBT driven converter takes the incoming ac power, measures against the nominal voltage and adds or subtracts voltage, 20,000 times per second, to achieve the nominal output voltage +/-3%.

The Automatic Bypass will be activated when there is a fault condition. Green LED indicates Normal (regulating mode operation), and the Red LED indicates a Fault condition.



Key features of the VRp Series

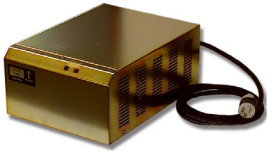
- Outstanding voltage regulation: under normal input range of nominal 172 to 276vac, output regulation will be 230vac +/-3%
- Failsafe: no switching of the power path
- Fast regulation
- Automatic bypass
- Low impedance
- Low weight
- Quiet operation
- Two year warranty



TSi Power Corporation
1103 West Pierce Ave
Antigo, WI 54409 USA
800 874 3160 (USA only)
Phone +1 715 623 0636
Fax +1 715 623 2426
sales@tsipower.com
www.tsipower.com
Copyright © 2007 TSi



Precision automatic voltage regulator



Front-right view
(VRp-4000 shown)



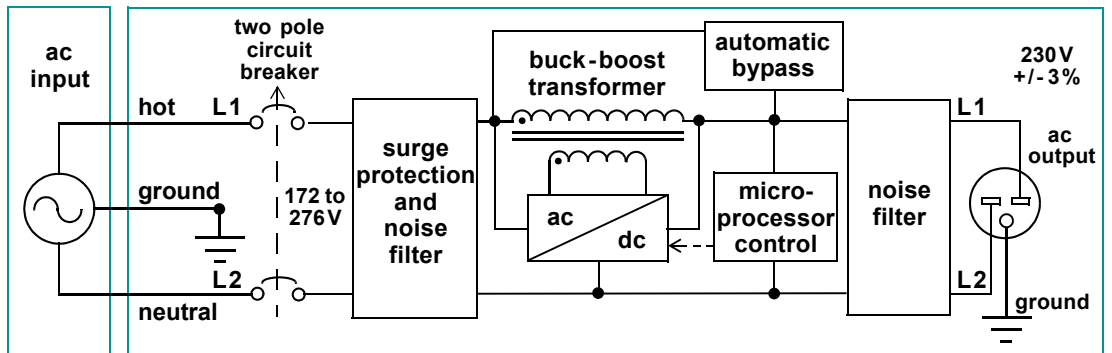
Rear view*
(VRp-4000 shown)

*Future models for the EU will be painted steel

TSi's ongoing product improvement process makes specifications subject to change. Other companies product names herein are for identification purposes only, and may be trademarks of their respective companies.

Specification	VRp-2000-0275
Electrical	
Capacity in VA (watts)	2 kVA (2000W) maximum
Regulator engine	High frequency 20kHz IGBT driven voltage regulation converter
Input	
Nominal voltage	230 volts ac, single phase (and 208, 220, 240V)
Operating voltage	172 to 276 volts ac
Nominal frequency	47 to 63Hz
Over-current protection	magnetic circuit breaker
Circuit breaker rating	15 amperes
Inlet line, cord-plug	2.4 m (8') cord and British BS1363A male plug. <i>(Optional: configured with hardwired input terminals L1, L2, and ground. Extra charge will apply).</i>
Output	
Nominal voltage	Factory set for 230 vac (208, 220, 240V, also available)
Current and efficiency	8.7A (maximum) ~ 96% efficiency (typical)
Voltage regulation	Combined 3% maximum under to 100% load and input of 172 to 276V
Automatic bypass	Automatic bypass will be activated when there is a fault condition.
Status indicators	System status LEDs provided as follows: Green LED indicates Normal (regulating mode operation); Red LED indicates Fault.
Surge test conditions	Per ANSI/IEEE C62.41-1991 6kV normal-mode injection
Surge let-through voltages	Category A3, Ring wave, 200A: L-N: 30V Cat. B3, Combination wave, 3000A: L-N: 200V Note: Unit should be installed as close as possible (within 30') of the neutral-to-ground bond at the service entrance, in order to minimize potential difference between neutral and ground. A separate isolation transformer is recommended for installations where distance exceeds above, or for grounding systems without a neutral-to-ground bond.
Ac output connection	One British BS 1363A female socket <i>(May be ordered configured with hardwire output terminals L1, L2, and ground. Extra charge will apply).</i>
Physical	
Dimensions	282mm (11.125") wide x 162mm (6.375") high x 377 mm (14.875") deep
Weight	16 kg (35 lbs)
Wall/floor mounting kit	MK-5019C (optional)
Safety	
Relevant standards	Designed to meet IEC 60950 standards for electrical safety.
Environmental	
Ambient temperature	0° to +25°C (32° to +77°F). 10 to 90% RH non-condensing.
Warranty	
Warranty	Two year limited warranty, parts and labor.

VRp system architecture



TSi Power Corporation
1103 West Pierce Ave
Antigo, WI 54409 USA
800 874 3160 (USA only)
Phone +1 715 623 0636
Fax +1 715 623 2426
sales@tsipower.com
www.tsipower.com
Copyright © 2007 TSi