



Pure Sine Wave

Wide Input Voltage Window

Voltage Regulation

XUPs Models**600HV**

600 VA, 420 W
230 vac
10 min @ 420 W
25 min @ 210 W

1000HV

1000 VA, 700 W
230 vac
5 min @ 700 W
12 min @ 350 W

Rack-mountable Sine Wave UPS with AVR and a Wide Input Voltage Window

These heavy-duty XUPs Series UPS are housed in a rugged steel rack-mountable enclosure. The XUPs offers line-interactive automatic voltage regulation, over/under-voltage protection, surge protection with heavy duty noise filtering, surge protection with heavy duty noise filtering, communications capability and optional extended battery backup.



Key XUPs Benefits

The XUPs design, with its microprocessor-controlled 15kHz sine wave inverter, reduces the number of solid-state devices required for power conversion, thereby yielding a high level of reliability.

Built-in automatic voltage regulation enables a wide input voltage window within which the XUPs can deliver power without having to drain or exercise the batteries, thereby ensuring long battery life. A fan exhausts hot air to protect batteries and electronics.

Standard battery run-times for the 600HV are approximately 10 minutes at a 420 watts load, and 25 minutes with a 210 watts load; and for the 1000HV, approximately 5 minutes at a 700 watts load, and 12 minutes at a 350 watts load.

How the XUPs Works

The XUPs Series UPS provides automatic voltage regulation with surge protection and noise filtering, and also overvoltage protection with a threshold of 280vac, and undervoltage protection with a threshold of 190vac. Upon a brownout, overvoltage, or loss of power, the XUPs will transfer to battery power in less than 4 milliseconds, enabling uninterrupted operation of computer, telecom, surveillance, signaling or other electronic systems.

A comprehensive array of power, battery level, voltage level, and inverter status LED indicators is provided for visual assessment of UPS status. A DB-9 port is provided for communication using RS-232 or relay dry contact signals. Finally, a recessed on/off switch is included.

Typical XUPs Applications

This heavy duty UPS system is ideal for protection of computers, WiFi/GSM/CDMA/satellite base stations, wireless communications/perimeter surveillance and security/gate control systems, LED traffic light/roadway display systems and industrial remote terminal units (RTUs).

Key XUPs Features

- Pure Sine Wave Inverter Output
- Over/Under-voltage Protection
- Rack or Wall Mountable with Optional Rack/Wall-mount Kit
- Heavy-duty Surge Protection and Noise Filtering
- Automatic Voltage Regulation with Wide Voltage Input Window Enhances Long Battery Life
- Comprehensive Array of Status Bargraphs for Voltage, Load and Battery Levels
- SNMP Compatible via RS-232 Port with Optional SNMP Adapter
- Both RS-232 and Relay Contact Signals are Provided
- Two Year Warranty on Electronics
- One Year Warranty on Batteries

**TSi Power Corporation**

1103 West Pierce Ave
Antigo, WI 54409
USA

715.623.0636

800.874.3160

Fax 715.623.2426

sales@tsipower.com

www.tsipower.com

XUPs



Rack-mountable heavy-duty line-interactive UPS with automatic voltage regulation

Specification	XUPs -600HV	XUPs -1000HV
Electrical		
Capacity in VA (Watts)	600VA (420W)	1000VA (700W)
UPS topology	High efficiency line-interactive with 15kHz PWM sine wave inverter.	
Input		
Nominal voltage	230 volts ac	
Input current	2.5A maximum @ 230vac	4.2A maximum @ 230vac
Operating voltage. Freq.	190 to 280vac without using batteries. 47 to 63Hz sinusoidal.	
Input receptacle/plug	IEC320 input receptacle. Line cord with IEC320P plug.	
Output		
Nominal voltage	230 volts ac	
Voltage regulation	230vac +/-8% upon changes in line or load.	
Crest ratio	3:1	
Output waveform	Pure sine wave, less than 3% THD with linear load.	
Power efficiency	97 %, under full load conditions.	
Power on/off switch	Recessed on/off rocker style power switch.	
Transfer time	<4 milliseconds	
Batteries	7 amp hours, 24vdc maintenance-free sealed lead-acid batteries.	
Battery backup time	10 minutes @ 420 watts load. 25 minutes @ 210 watts load.	5 minutes @ 700 watts load. 12 minutes @ 350 watts load.
Recharge time	Four hours to 95% capacity after full discharge.	
SNMP interface for UPS monitoring and automatic shutdown configuration (optional)	Using an external SNMP adapter, the RS-232 signals (from the DB-9 female connector) from the UPS can be converted to 10M/100M fast Ethernet signals (and RJ-45 connection) for external UPS monitoring/configuration capability using Telnet, web browsers, or NMS (most such external devices support TCP/IP, UDP, SNMP, Telnet, SNTP, PPP, HTTP & SMTP protocols).	
Surge protection	AC input surge/noise filter (using inductor, capacitor & MOV).	
Status indicators	5 LED load level indicator: 0 to 100% of rated load. 5 LED battery charge level indicator from 0 to 100% of rated charge. 3 LED indicators for: in boost, buck or normal mode. 4 LED indicators for: inverter on, ac present, battery fault, and overload.	
Output receptacles	Eight standard NEMA 5-15R receptacles. For others please call.	
Physical		
Dimensions	406mm(16") wide x 381mm(15") deep x 89mm(3.5") high (2U high)	
Weights	15kg(32 lbs)	17kg(37 lbs)
Housing	Painted steel enclosure with rubber feet.	
Rack or wall mounting kits (optional)	Front rack-mount kit: For a 19" rack: # MK-5019A	Recessed rack-mount kit: For a 19" rack: # MK-5019F Wall or floor mount kit: use # MK-5000C
Safety		
Agency approvals	Designed to meet UL, cUL and IEC safety standards.	
Environmental		
Operating temperature	0° to 40°C (32° to 104°F). 10 to 90% relative humidity (non-condensing).	
Warranty		
Warranty	Two year limited warranty, parts and labor. One year battery warranty.	

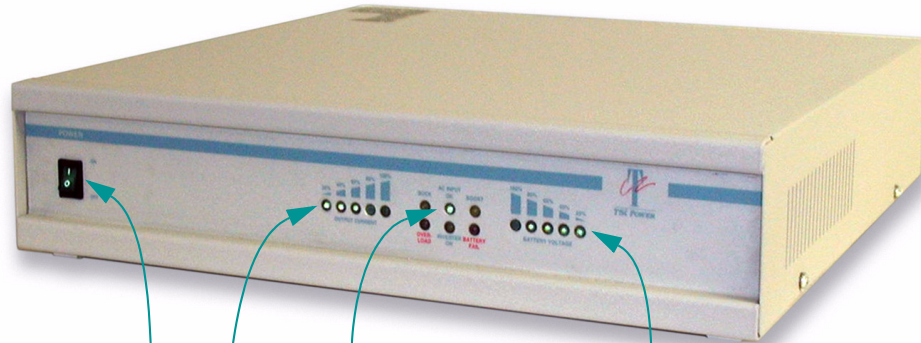


TSi Power Corporation
1103 West Pierce Ave
Antigo, WI 54409
USA
715.623.0636
800.874.3160
Fax 715.623.2426
sales@tsipower.com
www.tsipower.com

TSi's ongoing product improvement process makes specifications subject to change. Other companies product names herein are for identification purposes only, and may be trademarks of their respective companies.



Front-Right View



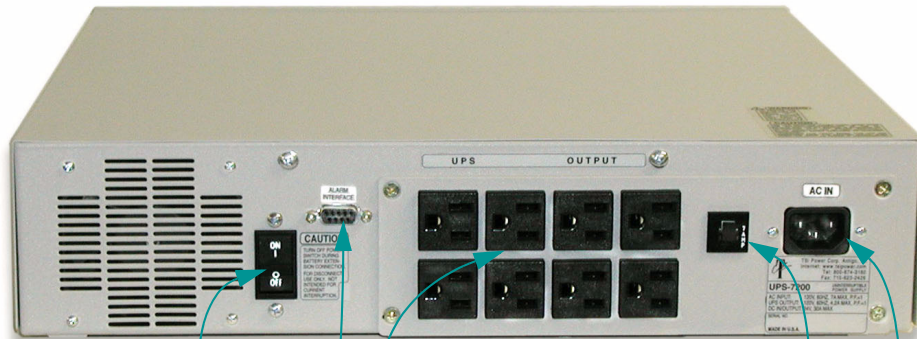
recessed on/off switch.

output current: three of five LEDs showing XUPs 60% loaded.

ac input on LED lit.
buck mode.
boost mode.
overload.
inverter on.
battery failure.

battery voltage level: four of five LEDs showing batteries at 80% charge status.

Rear View



dc circuit breaker.

DB-9 communication port provides both RS-232 and relay alarm contact signals (or SNMP using optional SNMP adapter).

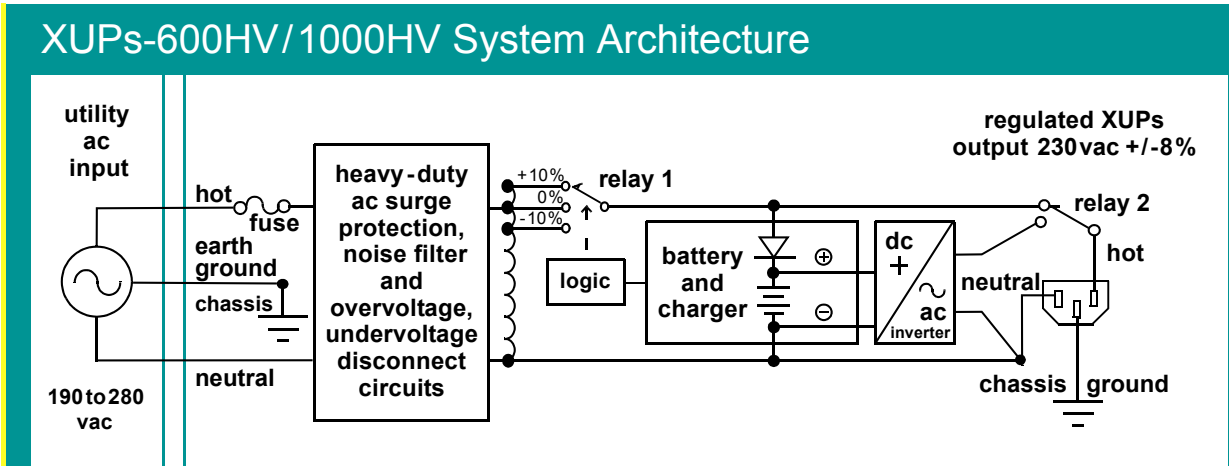
output ac via four standard IEC 320 receptacles. (NEMA 5-15R's shown)

input ac circuit breaker.

input ac IEC320 receptacle accepts various cord/plug sets.



TSi Power Corporation
1103 West Pierce Ave
Antigo, WI 54409
USA
715.623.0636
800.874.3160
Fax 715.623.2426
sales@tsipower.com
www.tsipower.com



XUPs-600HV/1000HV at a Glance

Rack or wall-mountable heavy-duty UPS with line-interactive automatic voltage regulation and wide input voltage window

- **10 minutes @ 420 watts load**
25 minutes @ 210 watts load
with XUPs-600HV
- **5 minutes @ 700 watts load**
12 minutes @ 350 watts load
with XUPs-1000HV
- Less than 4 ms transfer time
- Microprocessor-controlled
15 kHz PWM sine wave inverter
- 230 vac +/- 8% output
from 190 to 280 vac input
without going to batteries
- Rack-mountable metal cabinet
allows for rack or wall mounting
using optional mounting kits
- 24 vdc battery bus
- SNMP compatible
with optional SNMP adapter



TSi Power Corporation
1103 West Pierce Ave
Antigo, WI 54409
USA
715.623.0636
800.874.3160
Fax 715.623.2426
sales@tsipower.com
www.tsipower.com