



Pure Sine Wave

Wide Input Voltage Window

Voltage Regulation

**XUPs Models**

**600**

600 VA, 420 W  
 120 vac  
 10 min @ 420 W  
 25 min @ 210 W

**1000**

1000 VA, 700 W  
 120 vac  
 5 min @ 700 W  
 12 min @ 350 W

## Rack-mountable Sine Wave UPS with AVR and a Wide Input Voltage Window

These heavy-duty XUPs Series UPS are housed in a rugged steel rack-mountable enclosure. The XUPs offers line-interactive automatic voltage regulation, over/under-voltage protection, surge protection with heavy duty noise filtering, surge protection with heavy duty noise filtering, communications capability and optional extended battery backup.



### Key XUPs Benefits

The XUPs design, with its microprocessor-controlled 15kHz sine wave inverter, reduces the number of solid-state devices required for power conversion, thereby yielding a high level of reliability.

Built-in automatic voltage regulation enables a wide input voltage window within which the XUPs can deliver power without having to drain or exercise the batteries, thereby ensuring long battery life. A fan exhausts hot air to protect batteries and electronics.

Standard battery run-times for the XUPs-600 are approximately 10 minutes at a 420 watts load, and 25 minutes with a 210 watts load; and for the XUPs-1000, approximately 5 minutes at a 700 watts load, and 12 minutes at a 350 watts load.

### How the XUPs Works

The XUPs Series UPS provides automatic voltage regulation with surge protection and noise filtering, and also overvoltage protection with a threshold of 140vac, and undervoltage protection with a threshold of 95vac. Upon a brownout, overvoltage, or loss of power, the XUPs will transfer to battery power in less than 4 milliseconds, enabling uninterrupted operation of computer, telecom, surveillance, signaling or other electronic systems.

A comprehensive array of power, battery level, voltage level, and inverter status LED indicators is provided for visual assessment of UPS status. A DB-9 port is provided for communication using RS-232 or relay dry contact signals. Finally, a recessed on/off switch is included.

### Typical XUPs Applications

This heavy duty UPS system is ideal for protection of computers, WiFi/GSM/CDMA/satellite base stations, wireless communications/perimeter surveillance and security/gate control systems, LED traffic light/roadway display systems and industrial remote terminal units (RTUs).

### Key XUPs Features

- Pure Sine Wave Inverter Output
- Over/Under-voltage Protection
- Rack or Wall Mountable with Optional Rack/Wall-mount Kit
- Heavy-duty Surge Protection and Noise Filtering
- Automatic Voltage Regulation with Wide Voltage Input Window Enhances Long Battery Life
- Comprehensive Array of Status Bargraphs for Voltage, Load and Battery Levels
- SNMP Compatible via RS-232 Port with Optional SNMP Adapter
- Both RS-232 and Relay Contact Signals are Provided
- Two Year Warranty on Electronics
- One Year Warranty on Batteries



**TSi Power Corporation**  
 1103 West Pierce Ave  
 Antigo, WI 54409  
 USA  
 715.623.0636  
 800.874.3160  
 Fax 715.623.2426  
 sales@tsipower.com  
 www.tsipower.com

# XUPs



Rack-mountable heavy-duty line-interactive UPS with automatic voltage regulation

Specification	XUPs -600	XUPs -1000
<b>Electrical</b>		
Capacity in VA (Watts)	600VA (420W)	1000VA (700W)
UPS topology	High efficiency line-interactive with 15kHz PWM sine wave inverter.	
<b>Input</b>		
Nominal voltage	120 volts ac	
Input current	5A maximum @ 120vac	8.3A maximum @ 120vac
Operating voltage. Freq.	95 to 140vac without using batteries. 47 to 63Hz sinusoidal.	
Input receptacle/plug	IEC320 input receptacle. Line cord with NEMA 5-15P plug.	
<b>Output</b>		
Nominal voltage	120 volts ac	
Voltage regulation	115vac +/-8% upon changes in line or load.	
Crest ratio	3:1	
Output waveform	Pure sine wave, less than 3% THD with linear load.	
Power efficiency	97 %, under full load conditions.	
Power on/off switch	Recessed on/off rocker style power switch.	
Transfer time	<4 milliseconds	
Batteries	7 amp hours, 24vdc maintenance-free sealed lead-acid batteries.	
Battery backup time	10 minutes @ 420 watts load. 25 minutes @ 210 watts load.	5 minutes @ 700 watts load. 12 minutes @ 350 watts load.
Recharge time	Four hours to 95% capacity after full discharge.	
SNMP interface for UPS monitoring and automatic shutdown configuration (optional)	Using an external SNMP adapter, the RS-232 signals (from the DB-9 female connector) from the UPS can be converted to 10M/100M fast Ethernet signals (and RJ-45 connection) for external UPS monitoring/configuration capability using Telnet, web browsers, or NMS (most such external devices support TCP/IP, UDP, SNMP, Telnet, SNTP, PPP, HTTP & SMTP protocols).	
Surge protection	AC input surge/noise filter (using inductor, capacitor & MOV).	
Status indicators	5 LED load level indicator: 0 to 100% of rated load. 5 LED battery charge level indicator from 0 to 100% of rated charge. 3 LED indicators for: in boost, buck or normal mode. 4 LED indicators for: inverter on, ac present, battery fault, and overload.	
Output receptacles	Eight standard NEMA 5-15R receptacles. For others please call.	
<b>Physical</b>		
Dimensions	406mm(16") wide x 381mm(15") deep x 89mm(3.5") high (2U high)	
Weights	15kg(32 lbs)	17kg(37 lbs)
Housing	Painted steel enclosure with rubber feet.	
Rack or wall mounting kits (optional)	<b>Front rack-mount kit:</b> For a 19" rack: # MK-5019A	<b>Recessed rack-mount kit:</b> For a 19" rack: # MK-5019F  <b>Wall or floor mount kit:</b> use # MK-5000C
<b>Safety</b>		
Agency approvals	Designed to meet UL, cUL and IEC safety standards.	
<b>Environmental</b>		
Operating temperature	0° to 40°C (32° to 104°F). 10 to 90% relative humidity(non-condensing).	
<b>Warranty</b>		
Warranty	Two year limited warranty, parts and labor. One year battery warranty.	

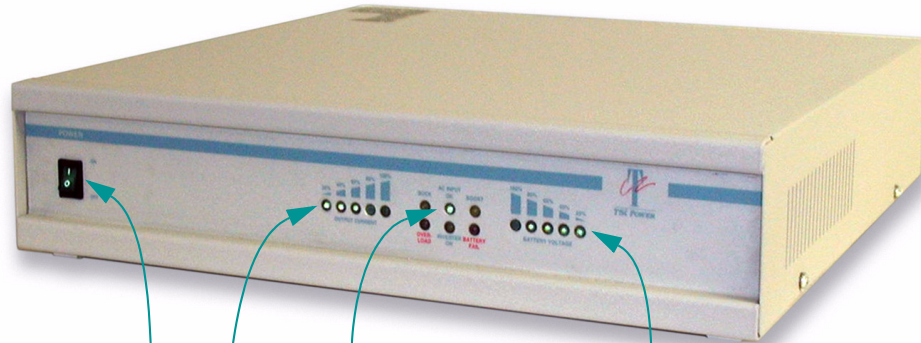


**TSi Power Corporation**  
1103 West Pierce Ave  
Antigo, WI 54409  
USA  
715.623.0636  
800.874.3160  
Fax 715.623.2426  
sales@tsipower.com  
www.tsipower.com

TSi's ongoing product improvement process makes specifications subject to change. Other companies product names herein are for identification purposes only, and may be trademarks of their respective companies.



## Front-Right View



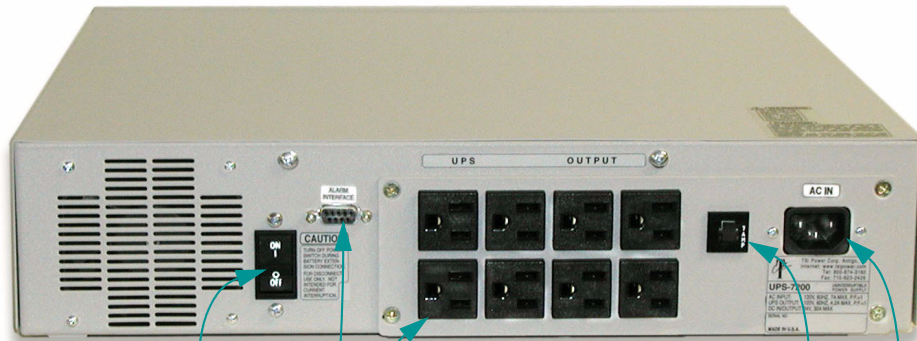
recessed on/off switch.

output current: three of five LEDs showing XUPs 60% loaded.

ac input on LED lit.  
buck mode.  
boost mode.  
overload.  
inverter on.  
battery failure.

battery voltage level: four of five LEDs showing batteries at 80% charge status.

## Rear View



dc circuit breaker.

DB-9 communication port provides both RS-232 and relay alarm contact signals (or SNMP using optional SNMP adapter).

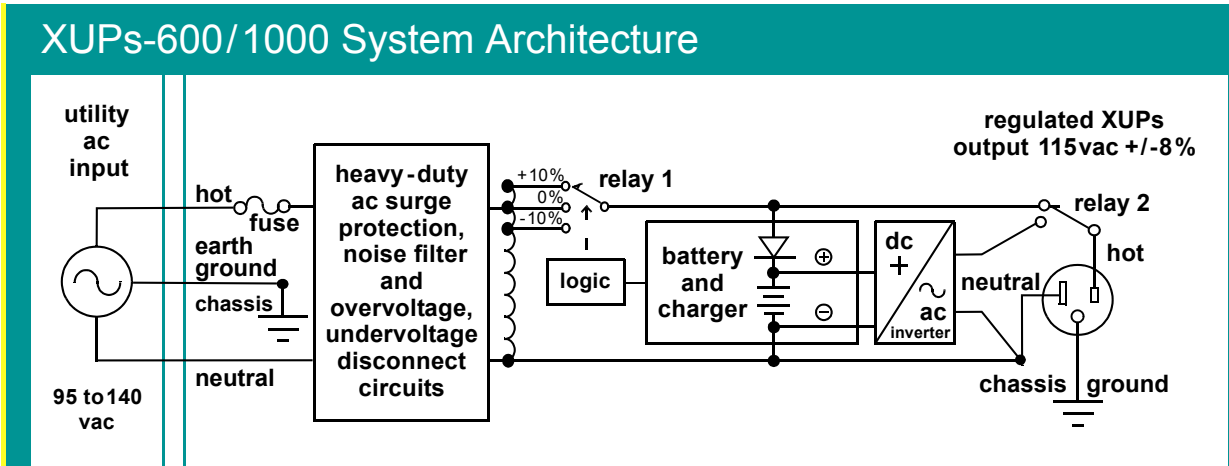
output ac via eight standard NEMA 5-15R receptacles.

input ac circuit breaker.

input ac IEC320 receptacle accepts various cord/plug sets.



**TSi Power Corporation**  
1103 West Pierce Ave  
Antigo, WI 54409  
USA  
715.623.0636  
800.874.3160  
Fax 715.623.2426  
sales@tsipower.com  
www.tsipower.com



## XUPs-600/1000 at a Glance

Rack or wall-mountable heavy-duty UPS with line-interactive automatic voltage regulation and wide input voltage window

- **10 minutes @ 420 watts load**  
25 minutes @ 210 watts load  
**with XUPs-600**
- **5 minutes @ 700 watts load**  
12 minutes @ 350 watts load  
**with XUPs-1000**
- Less than 4 ms transfer time
- Microprocessor-controlled  
15 kHz PWM sine wave inverter
- 115vac +/-8% output  
from 95 to 140vac input  
without going to batteries
- Rack-mountable metal cabinet  
allows for rack or wall mounting  
using optional mounting kits
- 24vdc battery bus
- SNMP compatible  
with optional SNMP adapter



**TSi Power Corporation**  
1103 West Pierce Ave  
Antigo, WI 54409  
USA  
715.623.0636  
800.874.3160  
Fax 715.623.2426  
sales@tsipower.com  
www.tsipower.com