

Outdoor UPS

Outdoor UPS

Extreme Wide Temperature

NEMA 3R Enclosure

Models

Outdoor UPS-400Conf1

250 Watts
120 vac
1 Hour@250W

Outdoor UPS-400Conf2

250 Watts
120 vac
2 Hrs@250W

Outdoor UPS For Severe Environments With Wide Temperature Range Batteries Enhanced Surge Protection & Hours Of Run-Time

These TSi Power Outdoor Series UPS are constructed with very wide temperature batteries and are housed in a weather protected NEMA 3R rated metal enclosure. This series offers enhanced surge protection with excellent noise filtering, and hours of battery run-time.

Key Benefits

This rugged UPS design with conformal coated boards reduces the number of solid-state devices required for power conversion and is suitable for use in severe outdoor environments.

Outdoor UPS batteries are special wide temperature batteries which allow operation of the UPS system over an ambient temperature range of -20° to +60° C.

Standard battery run-time's are approximately 2 or 4 hours at a typical 125 watt load. With the addition of optional Extra Battery Cabinets, extended battery run-time can be achieved.

How The Outdoor-UPS-400 Works

Upon brownout, or loss of power, the Outdoor-UPS-400Conf will transfer to battery in <8ms, enabling uninterrupted operation of your telecom, surveillance systems, signaling or other outdoor systems.

One LED provide visual assessment of UPS status. Front panel rocker switches control UPS functions. Audible alarms activate upon power outage and low-battery conditions.

Typical Outdoor Applications

These outdoor extreme wide temperature rated UPS are ideal for surveillance cameras, cellular repeater sites, critical 911 & telecom equipment, and other areas where reliability and/or extended battery backup time is required, or the power source is unpredictable.



Sample Photo Only, NEMA 3R Enclosure
Size Varies Per Custom Application

Key Outdoor-UPS Features

- Cabinet Can Be Pole Or Wall Mounted
- Full Weather Protection (NEMA 3R Rated Metal Cabinet)
- Wide Temperature Batteries
- Under Voltage Protection
- Enhanced Surge Protection
- Windows XP Compatible
- Electronic Parts ~ 2 Year Warranty
Batteries ~ 1 Year Warranty
- Status LED And Audible Alarms Indicate UPS Status



TSi Power Corporation

1103 West Pierce Ave
Antigo, WI 54409
USA

715.623.0636

800.874.3160

Fax 715.623.2426

sales@tsipower.com

www.tsipower.com

Outdoor UPS

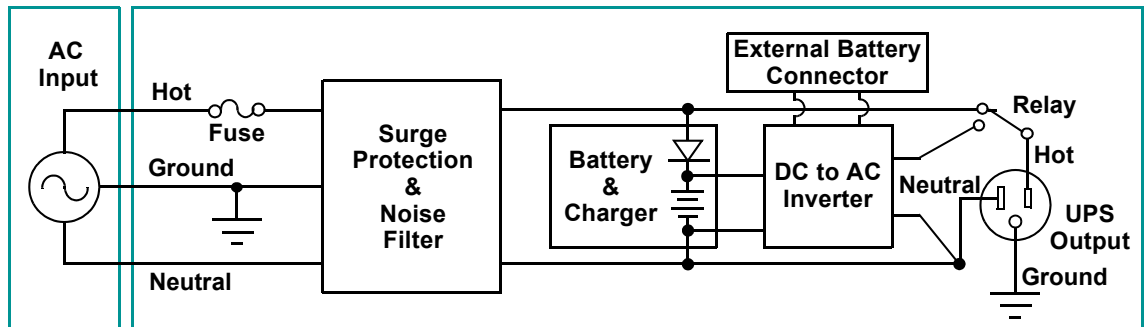


Outdoor UPS
In Weather-tight
NEMA 3R Rated
Metal Cabinet

Specification	Outdoor-UPS-400Conf1	Outdoor-UPS-400Conf2
Electrical		
Capacity in VA (Watts)	400VA (250kW)	
UPS Type	Single conversion (off-line) UPS with <8 ms transfer time.	
Input		
Nominal Voltage	120 Volts AC single phase.	
Operating Voltage	100 ~ 130 Volts AC. 57~63Hz, sinusoidal.	
AC Input (Hardwire)	Terminal block via through-wall watertight fittings	
Output		
Nominal Voltage	120 Volts AC, single phase.	
Nominal Frequency	57~63Hz	
UPS Inverter Output	105~130VRMS, 60Hz +/- 1%, Pulse-width modulated, modified sinewave.	
Transfer: AC to Inverter	Brown-out threshold: 97 +/- 2V _{RMS}	
Power Efficiency	>98% for normal operation.	
Transfer Time	Less than 8ms typical between AC and inverter, phase-locked to the AC mains voltage.	
Transfer From Inverter To AC	The line voltage has to stabilize to between 100 and 130V _{RMS} for at least 2 seconds in order to transfer back to AC mains.	
Batteries	Maintenance-free sealed lead-acid battery(ies). Extreme wide temperature range of -20° to +60°C.	
Battery Back-up time	1 Hour at 250 Watts Load	2 Hours at 250 Watts Load
Recharge Time	48 hours to return to 90% capacity after full discharge.	
Optional Battery Cabinet For Extended Run-Time (Please call)	Matching extra battery cabinet with separate charger, supplying additional hour(s) of back-up time. Weight will vary per model. Size of the cabinet is typically the same as the Outdoor-UPS unit.	
Indicators & Alarms	LED indicator and audible signals for AC, inverter, and battery status.	
Communications	DB-9 connector provides RS-232 compatible alarm communications signals.	
AC Output (Hardwire)	Terminal block via through-wall watertight fittings.	
Physical		
Dimensions	16" (406mm) High x 12" (305mm) Wide x 8" (203mm) Deep	
Weight	60 lbs. (27kg)	85 lbs. (39kg)
Cabinet	Fully weather protected metal cabinet (NEMA 3R rated).	
Mounting Options	Pole or wall-mountable, 4 wall-mounting 'feet' included.	
Safety		
Safety Standards	Designed to meet UL & cUL safety specifications.	
Overload Protection	Internal fuses protect all AC & DC circuits.	
Environmental		
Ambient Temperature	-20° to +60°C.	
Warranty		
Warranty	2 Years ~ Parts & Labor. (1 Year Warranty on Batteries).	

TSi's ongoing product improvement process makes specifications subject to change without notice. Other companies product names herein are for identification purposes only, and may be trademarks of their respective companies.

Outdoor-UPS-400Conf System Architecture



TSi Power Corporation
1103 West Pierce Ave
Antigo, WI 54409
USA
715.623.0636
800.874.3160
Fax 715.623.2426
sales@tsipower.com
www.tsipower.com