



Ferroresonant Transformer | Voltage Regulation | UL/cUL Listed

Models
<b>FLc-750</b>
6.3 Amps 120 Volts
<b>FLc-1000</b>
8.3 Amps 120 Volts
<b>FLc-1500</b>
12.5 Amps 120 Volts

# Ferroresonant Constant Voltage Output Isolation Transformer Line Conditioner

To provide isolated constant output voltage and stable power, even when the incoming AC mains or generator set voltage is extremely low or high.

## Typical Applications

FLc series line conditioners are suitable where you want the ultimate in industrial-strength AC line protection for computers, point-of-sale terminals, copiers, data acquisition & control systems, as well as other data processing equipment.

The FLc Series is recommended for use with a stable load and input frequency, and where audible noise and heat are of less concern.

## Key Benefits

The FLc Series constant voltage regulated output protects switch-mode power supplies from failure caused by unstable AC mains. FLc provides a combination of isolation and constant output voltage transformer technology, which makes it an ideal device to replace a dedicated circuit when cost of installing same is prohibitive.

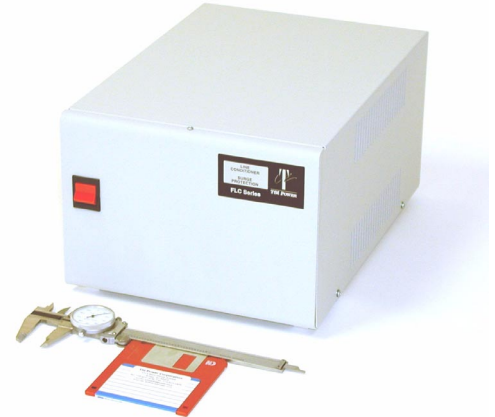
Highest grade AC power can be obtained even when the mains contain high noise and/or harmonics. FLc provides three stage surge protection and significant reduction of surge voltage dV/dt rise times. The FLc internal transformer draws only sinewave current, which helps to reduce harmonics in supplied loads.

The FLc line conditioner can be used between a UPS and the AC mains to provide greater protection for the connected equipment, while saving the UPS's internal batteries for true black-outs.

## How The FLc Series Works

FLc incorporates a constant voltage output ferroresonant isolation transformer, which provides 100% isolation from the input AC line. The secondary neutral is bonded to ground thus eliminating all surge voltages between neutral and ground.

Surge protection is further enhanced due to the built-in low-pass filter, which reduces fast-rise transients from 6kV/μs to less than 10V/μs.



## Key Features of the TSi Power Ferroresonant Line Conditioner

- Constant Output Voltage Guaranteed
- Ferroresonant Isolation Transformer With Neutral-to-Ground Bond.
- Coordinated Surge Protection Per IEC61312.3
- Advanced Noise & Interference Filter Reduces dV/dt from 6kV/μS to less than 10V/μS
- Front Panel Power Switch
- Replaces Dedicated AC Circuit
- Reduces Harmonics From Non-linear Loads
- The Best Surge Protection Available
- 5 Year Warranty

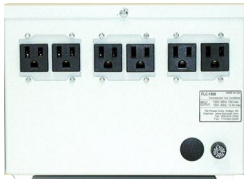
*Power With A Precision Attitude™*



**TSi Power Corporation**  
 1103 West Pierce Avenue  
 Antigo, WI 54409  
 USA  
 715.623.0636  
 800.874.3160  
 Fax 715.623.2426  
 sales@tsipower.com  
 www.line-conditioner.com



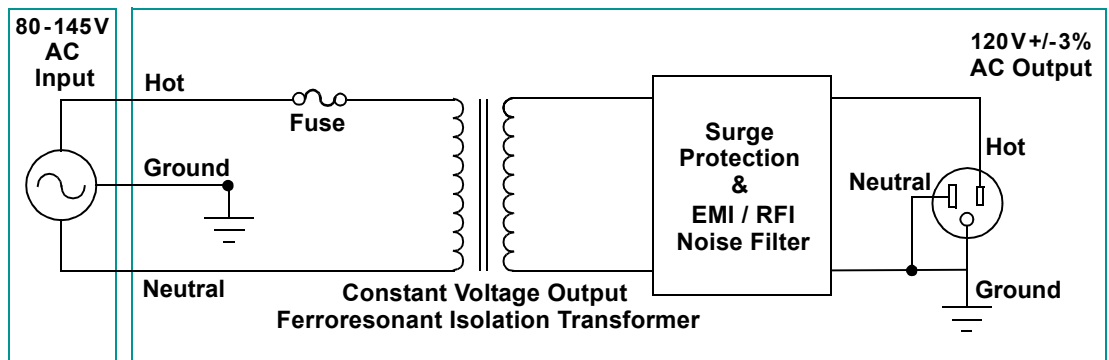
# Ferroresonant Line Conditioner



Rear View  
FLC-1500

Specification	FLC-750	FLC-1000	FLC-1500
<b>Electrical</b>			
Capacity in VA (Watts)	750VA (750W)	1000VA (1000W)	1500VA (1500W)
Transformer Type	Constant Voltage Output Ferroresonant Isolation Transformer.		
<b>Input</b>			
Nominal Voltage	120 Volts AC		
Operating Voltage	80 ~ 145 Volts AC		
Nominal Frequency	60Hz		
AC 6' Input Cord With	NEMA 5-15R Plug	NEMA 5-15R Plug	NEMA 5-20R Plug
<b>Output</b>			
AC Output Voltage	120Volts AC +/-3%		
Waveform	Output waveform: Sinewave, regardless of input for 60Hz +/-3%		
Noise Filtering	Low-pass filter reduces noise over a wide frequency range. The measured rate of voltage rise/fall (dV/dt of the remnant waveform is less than 200V/μS with input test waveform dV/dt of 6kV/μS.		
Surge Protection	Three-way surge protection system.		
Surge Test Conditions	Per ANSI/IEEE C62.41-1991 test pulse, Category B3, Combination Wave, 6000V, 3000A. Test pulse injection: Line-neutral, line-ground, and neutral-ground.		
Surge Let-Through Voltages	Remnant Voltage: L-N: 5V, L-G: 5V, N-G: 0.5V.		
Power Efficiency	90% or higher for full load conditions. 80% typical for half load conditions.		
Power On/Off Switch	Master On/Off Rocker Power Switch Control.		
AC Output Receptacles	6 (NEMA 5-15R)		
<b>Physical</b>			
Dimensions	9.25" (235mm)W x 6.5" (165mm)H x 13.0" (330mm)D		
Weight	55 lbs (25 kg)	60 lbs (27.2kg)	60 lbs (27.2 kg)
<b>Safety</b>			
Agency Approvals	UL & cUL 1950 Listed		
<b>Environmental</b>			
Ambient Temperature	0° to +40°C. 10 to 90% Relative Humidity (non-condensing).		
<b>Warranty</b>			
Warranty	5 Year Limited Warranty, Parts and Labor.		

TSi's ongoing product improvement process makes specifications subject to change. Other companies product names herein are for identification purposes only, and may be trademarks of their respective companies.



## FLC Series System Architecture



**TSi Power Corporation**  
1103 West Pierce Avenue  
Antigo, WI 54409  
USA  
715.623.0636  
800.874.3160  
Fax 715.623.2426  
sales@tsipower.com  
www.line-conditioner.com

Copyright © 2004 TSi